

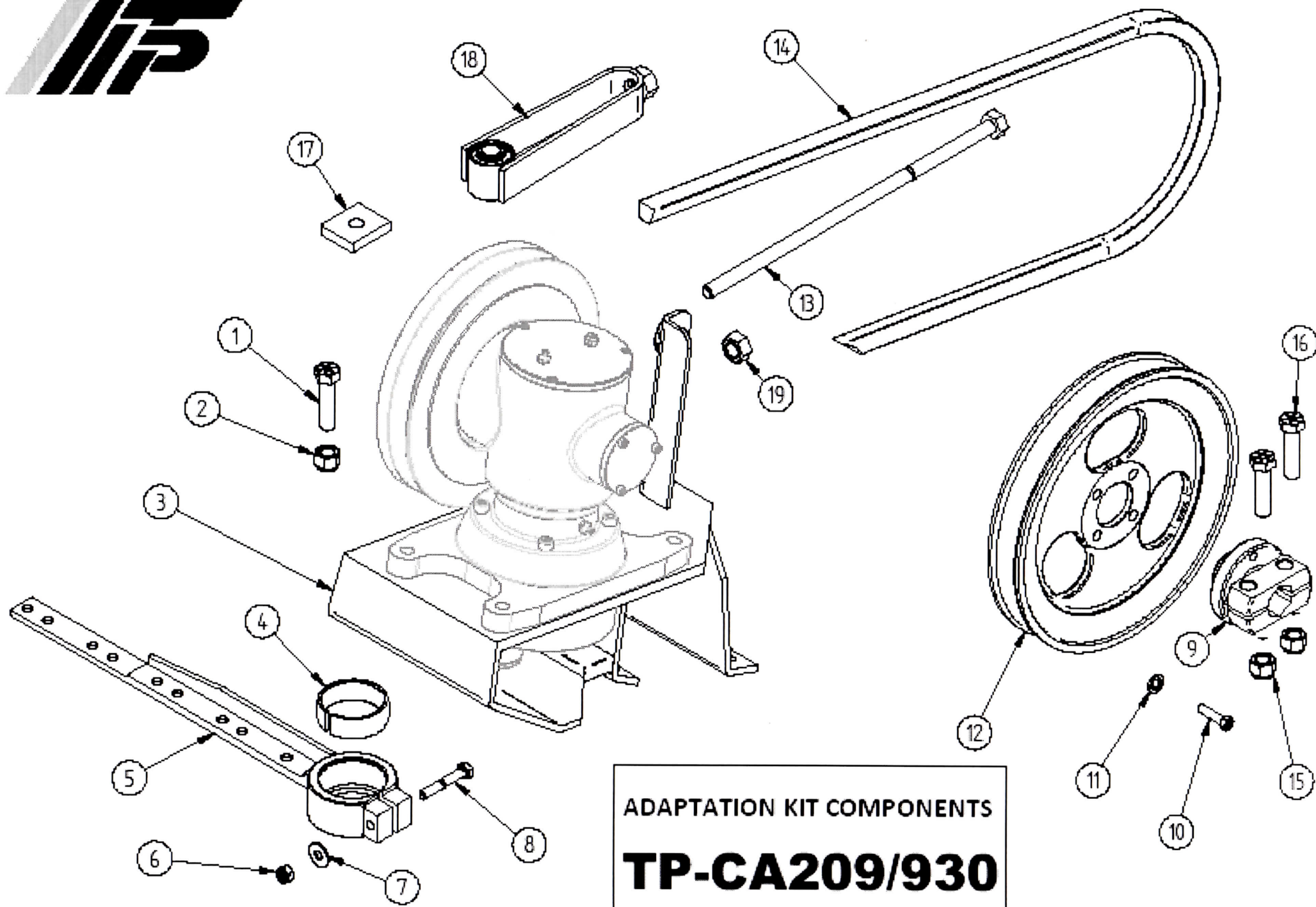
TP-CA209-930



Adaptation Kit for TP-CA 2000
Knife Drive Wobble Box
Applicable to John Deere
Maximizer 9600/9610(930
Cutting Platforms)



WWW.TECNOLOGIAPEREZ.COM.AR



ADAPTATION KIT COMPONENTS
TP-CA209/930

Adaptation Kit Components for Assembly

Picture Ref.	Code	Description	Quantity
1	12X050 G	1/2 X 2 G5 SCREW	4
2	12 AUT	1/2 LOCK NUT	4
3	TP-CA650	KNIFE DRIVE WOBBLE BOX	1
4	TP-CA137	RESIN RING	1
5	TP-CA312	KNIFEHEAD	1
6	08 AUT	5/16 LOCK NUT	1
7	5/16 PL	5/16 FLAT WASHER	1
8	08x050 G	5/16 X 2 USS G5 SCREW	1
9	125966 A1	HUB	1
10	09X025 G	3/8 X 1 USS G5 SCREW	4
11	09 AUT	3/8 LOCK NUT	4
12	125959 A1TP	PULLEY drive, 500 rpm, 270 mm od	1
13	TP-CA651	SPECIAL SCREW M16 X 2	1
14	C 132	BELT	1
15	12 AUT	1/2 LOCK NUT	2
16	12x070 G	1/2 X 2 3/4 SCREW	2
17	TP-CA709	PLATE	1
18	TP-CA409	TENSIONER BASE WITH BUSHING	1
19	16 TM	METRIC NUT 16 X 2	1



NOTE: All other screws and washers are the same that are already installed in the original base.

REFORMS TO MAKE ON THE PLATFORM

Make an "L" type cut 200mm long and 50mm deep in the outer side face of the platform in order to avoid friction between the belt C-132 provided in the TP-CA209 kit and the platform.

You will also have to weld the plate provided in the kit (TP-CA 709) in order to fit the spring that holds the Wobble Box (weld in the distance suggested in the drawing below)

The Hub and Pulley provided in the kit should replace the original Hub and Pulley in order to supply to the Wobble Box the correct R.P.M for which it was manufactured and in order to optimize its use.

